



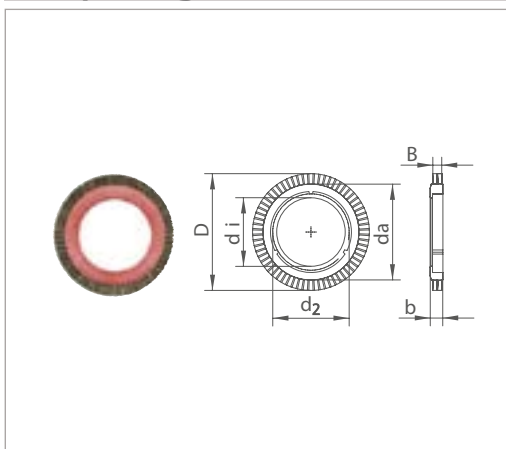
BRÜCKNER STENTERS

| body dimensions | | | |
|--------------------|-----------------|--------------|---------------------------|
| inner ø (di/d2) | outer ø (da) | width (b) | pitch circle Ø (TK) |
| mm | mm | mm | mm |

| fill | | | | | |
|---------------|------|------|---------------------------------|---|---|
| fill material | trim | rows | operating width (B) mm | style | |
| | | | | straight | conv. |
| | mm | | |  |  |

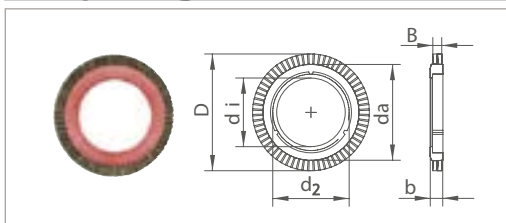
| Gutmann article-nr. |
|------------------------|
|------------------------|

Postpinning Brush Ø 150 mm (D)





| | | | | | | | | | | |
|-------|-------|------|--|-------------------------|------|---|----|---|---|--------------|
| 88/98 | 124.0 | 16.0 | | Calcutta bristle grey | 13.0 | 2 | 11 | • | | 8011-0150-02 |
| 88/98 | 124.0 | 16.0 | | Chungking bristle black | 13.0 | 2 | 10 | • | | 8011-0150-12 |
| 88/98 | 124.0 | 16.0 | | horsehair black | 13.0 | 2 | 12 | • | | 8011-0150-22 |
| 88/98 | 124.0 | 16.0 | | PA 6.6 white 0.40 mm | 13.0 | 2 | 11 | • | | 8011-0150-42 |
| 88/98 | 124.0 | 16.0 | | PA 6.6 white 0.70 mm | 13.0 | 2 | 11 | • | | 8011-0150-72 |
| 88/98 | 124.0 | 16.0 | | Calcutta-Borste grau | 13.0 | 2 | 8 | | • | 8011-1150-02 |
| 88/98 | 124.0 | 16.0 | | Chungking bristle black | 13.0 | 2 | 7 | | • | 8011-1150-12 |
| 88/98 | 124.0 | 16.0 | | horsehair black | 13.0 | 2 | 8 | | • | 8011-1150-22 |
| 88/98 | 124.0 | 16.0 | | PA 6.6 white 0.40 mm | 13.0 | 2 | 7 | | • | 8011-1150-42 |
| 88/98 | 124.0 | 16.0 | | PA 6.6 white 0.70 mm | 13.0 | 2 | 8 | | • | 8011-1150-72 |

Postpinning Brush Ø 160 mm (D)

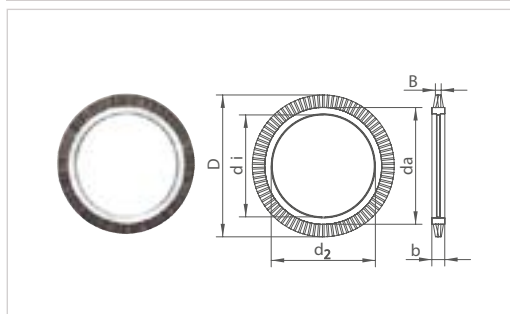


| | | | | | | | | | | |
|-------|-------|------|--|-----------------------|------|---|---|--|---|--------------|
| 88/98 | 124.0 | 16.0 | | Calcutta bristle grey | 18.0 | 2 | 7 | | • | 8011-1160-02 |
| 88/98 | 124.0 | 16.0 | | PA 6.6 white 0.40 mm | 18.0 | 2 | 8 | | • | 8011-1160-42 |

BRÜCKNER STENTERS

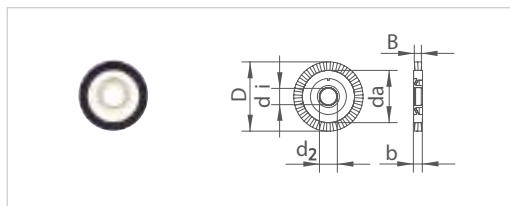
| body dimensions | | | | fill | | | | | | Gutmann article-nr. |
|------------------------------|---------------------------|--------------|-------------------------------------|---------------|----------------|------|-------------------------------------|---|---|------------------------|
| inner \emptyset (di/d2) | outer \emptyset (da) | width (b) | pitch circle \emptyset (TK) | fill material | trim mm | rows | operating width (B) mm | style | | |
| mm | mm | mm | mm | | | | | straight | conv. | |
| | | | | | | | |  |  | |

Overfeed Brush \emptyset 220 mm (D)





| | | | | | | | | | | |
|----------|-------|------|--|-------------------------|------|---|----|---|---|--------------|
| 158/1615 | 181.0 | 20.0 | | Calcutta bristle grey | 19.5 | 4 | 17 | • | | 8032-0220-04 |
| 158/1615 | 181.0 | 20.0 | | Chungking bristle black | 19.5 | 4 | 17 | • | | 8032-0220-34 |
| 158/1615 | 181.0 | 20.0 | | Calcutta bristle grey | 19.5 | 4 | 11 | | • | 8032-1220-04 |
| 158/1615 | 181.0 | 20.0 | | Chungking bristle black | 19.5 | 4 | 11 | | • | 8032-1220-14 |
| 158/1615 | 181.0 | 20.0 | | horsehair black | 19.5 | 4 | 13 | | • | 8032-1220-24 |
| 158/1615 | 181.0 | 20.0 | | PA 6.6 white 0.40 mm | 19.5 | 4 | 11 | | • | 8032-1220-44 |
| 158/1615 | 181.0 | 20.0 | | PA 6.6 white 0.70 mm | 19.5 | 4 | 12 | | • | 8032-1220-74 |

Edge Cutting Brush \emptyset 85 mm (D)

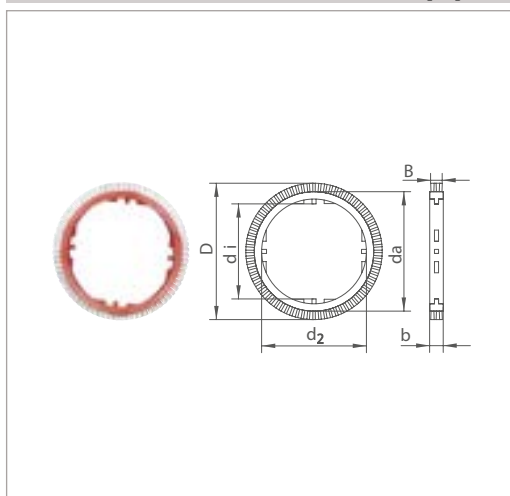


| | | | | | | | | | | |
|---------|------|------|--|-----------------|------|---|---|---|--|--------------|
| 2195/20 | 64.0 | 11.0 | | horsehair black | 10.5 | 2 | 9 | • | | 8043-0085-22 |
|---------|------|------|--|-----------------|------|---|---|---|--|--------------|

BRÜCKNER STENTERS

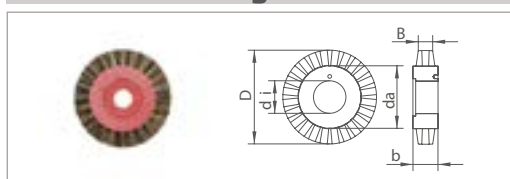
| body dimensions | | | | fill | | | | | | Gutmann article-nr. |
|--------------------|-----------------|--------------|---------------------------|---------------|------|------|---------------------------|---|---|------------------------|
| inner ø (di/d2) | outer ø (da) | width (b) | pitch circle Ø (TK) | fill material | trim | rows | operating width (B) | style | | |
| mm | mm | mm | mm | | | | | mm | mm | |
| | | | | | | | |  |  | |

Universal Brush Ø 201 mm (D)



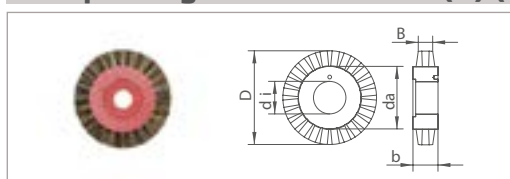
| | | | | | | | | | | |
|----------|-------|------|--|------------------------------|------|---|----|---|---|--------------|
| 140/154 | 176.0 | 20.0 | | Calcutta bristle grey | 12.5 | 4 | 17 | • | | 8221-0201-04 |
| 140/154 | 176.0 | 20.0 | | Chungking bristle black | 12.5 | 4 | 17 | • | | 8221-0201-14 |
| 140/154 | 176.0 | 20.0 | | horsehair black | 12.5 | 4 | 17 | • | | 8221-0201-24 |
| 140/154 | 176.0 | 20.0 | | PA 6.6 white 0.40 mm | 12.5 | 4 | 17 | • | | 8221-0201-44 |
| 140/1544 | 176.0 | 20.0 | | PA 6.6 white 0.70 mm | 12.5 | 4 | 18 | • | | 8221-0201-74 |
| 140/154 | 176.0 | 20.0 | | stainless steel wire 0.25 mm | 12.5 | 4 | 20 | • | | 8221-0201-84 |
| 140/154 | 176.0 | 20.0 | | Calcutta bristle grey | 12.5 | 3 | 9 | | • | 8221-1201-03 |
| L140/154 | 176.0 | 20.0 | | Chungking bristle black | 12.5 | 3 | 11 | | • | 8221-1201-13 |
| 140/154 | 176.0 | 20.0 | | horsehair black | 12.5 | 3 | 10 | | • | 8221-1201-23 |
| 140/154 | 176.0 | 20.0 | | PA 6.6 white 0.40 mm | 12.5 | 3 | 11 | | • | 8221-1201-43 |
| 140/154 | 176.0 | 20.0 | | PA 6.6 white 0.70 mm | 12.5 | 3 | 8 | | • | 8221-1201-73 |

Brush for cutting device Ø 85 mm (D) (also check bushings for 8411-....-..)





| | | | | | | | | | | |
|----|------|------|--|-----------------------|------|---|----|---|--|--------------|
| 26 | 50.0 | 20.0 | | Calcutta bristle grey | 17.5 | 4 | 18 | • | | 8411-0085-54 |
|----|------|------|--|-----------------------|------|---|----|---|--|--------------|

Postpinning Brush Ø 75 mm (D) (also check bushings for 8411-....-..)

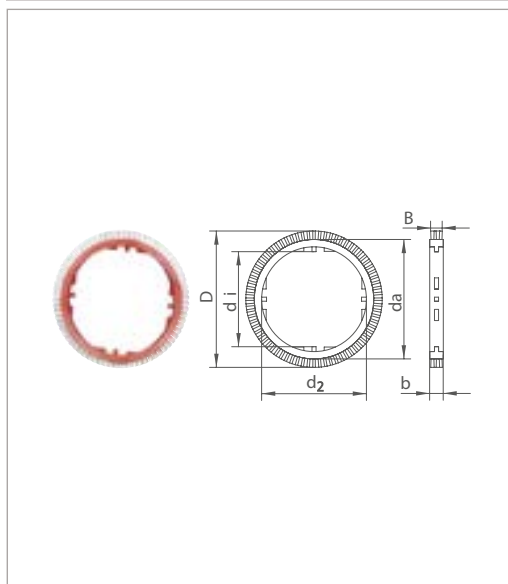


| | | | | | | | | | | |
|----|------|------|--|-------------------------|------|---|----|--|---|--------------|
| 26 | 50.0 | 20.0 | | Calcutta bristle grey | 12.5 | 3 | 10 | | • | 8411-1075-03 |
| 26 | 50.0 | 20.0 | | Chungking bristle black | 12.5 | 3 | 10 | | • | 8411-1075-13 |

BRÜCKNER STENTERS

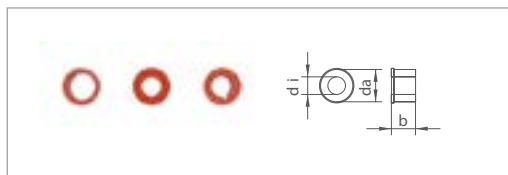
| body dimensions | | | | fill | | | | | | Gutmann article-nr. |
|------------------------------|---------------------------|--------------|-------------------------------------|---------------|------|------|---------------------------------|---|---|------------------------|
| inner \emptyset (di/d2) | outer \emptyset (da) | width (b) | pitch circle \emptyset (TK) | fill material | trim | rows | operating width (B) mm | style | | |
| mm | mm | mm | mm | | | | | straight | conv. | |
| | | | | | | | |  |  | |

Universal Brush / Overfeed Brush \emptyset 220 mm (D))





| | | | | | | | | | | |
|---------|-------|------|--|------------------------------|------|---|----|---|---|--------------|
| 158/167 | 189.0 | 20.0 | | horsehair black | 15.5 | 4 | 18 | • | | 8231-0220-24 |
| 158/167 | 189.0 | 20.0 | | Chungking bristle black | 15.5 | 4 | 18 | • | | 8231-0220-34 |
| 158/167 | 189.0 | 20.0 | | PA 6.6 white 0.40 mm | 15.5 | 4 | 17 | • | | 8231-0220-44 |
| 158/167 | 189.0 | 20.0 | | Calcutta bristle grey | 15.5 | 4 | 18 | • | | 8231-0220-54 |
| 158/167 | 189.0 | 20.0 | | PA 6.6 white 0.70 mm | 15.5 | 4 | 18 | • | | 8231-0220-74 |
| 158/167 | 189.0 | 20.0 | | stainless steel wire 0.25 mm | 15.5 | 4 | 21 | • | | 8231-0220-84 |
| 158/167 | 189.0 | 20.0 | | goat hair white | 15.5 | 4 | 19 | • | | 8231-0220-Z4 |
| 158/167 | 189.0 | 20.0 | | horsehair black | 15.5 | 4 | 12 | | • | 8231-1220-24 |
| 158/167 | 189.0 | 20.0 | | Chungking bristle black | 15.5 | 4 | 10 | | • | 8231-1220-34 |
| 158/167 | 189.0 | 20.0 | | PA 6.6 white 0.40 mm | 15.5 | 4 | 10 | | • | 8231-1220-44 |
| 158/167 | 189.0 | 20.0 | | Calcutta bristle grey | 15.5 | 4 | 10 | | • | 8231-1220-54 |
| 158/167 | 189.0 | 20.0 | | PA 6.6 white 0.70 mm | 15.5 | 4 | 11 | | • | 8231-1220-74 |
| 158/167 | 189.0 | 20.0 | | stainless steel wire 0.25 mm | 15.5 | 4 | 11 | | • | 8231-1220-84 |

Bushings for 8411-....-.. (50-8412 with key slot (for cutting device))

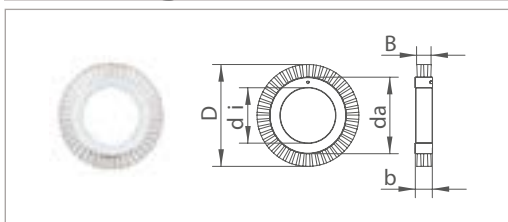


| | | | | | | | | | | |
|----|----|------|--|--|--|--|--|--|--|---------|
| 14 | 26 | 19.5 | | | | | | | | 50-8411 |
| 15 | 26 | 19.5 | | | | | | | | 50-8412 |

BRÜCKNER STENTERS

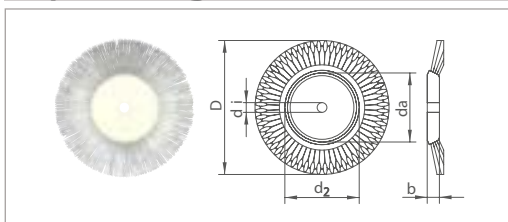
| body dimensions | | | | fill | | | | | | Gutmann article-nr. |
|--------------------|-----------------|--------------|---------------------------|---------------|------------|------|---------------------------------|---|---|------------------------|
| inner ø (di/d2) | outer ø (da) | width (b) | pitch circle Ø (TK) | fill material | trim mm | rows | operating width (B) mm | style | | |
| mm | mm | mm | mm | | | | | straight | conv. | |
| | | | | | | | |  |  | |

Brush Ring Ø 120 mm (D)



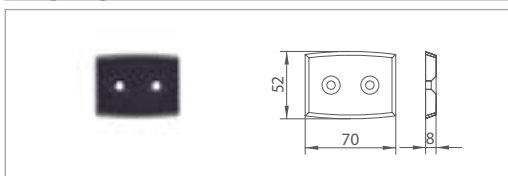
| | | | | | | | | | | |
|----|------|------|--|----------------------|------|---|--|---|--|--------------|
| 65 | 90.0 | 20.0 | | PA 6.6 white 0.40 mm | 15.0 | 4 | | • | | 8699-0120-44 |
|----|------|------|--|----------------------|------|---|--|---|--|--------------|

Clip Cleaning Brush Ø 220 mm (D)



| | | | | | | | | | | |
|----|-------|------|--|----------------------------|---------|---|--|--|--|-----------|
| 16 | 122.0 | 20.0 | | PA 6.6 white 0.70 mm | 54.0/59 | 4 | | | | 89-2324-4 |
| 16 | 122.0 | 20.0 | | crimped brass wire 0.40 mm | 54.0/59 | 4 | | | | 89-2324-9 |

Clip Opener made of thermoset 52 x 70 mm



| | | | | | | | | | | |
|--|--|--|--|--|--|--|--|--|--|---------|
| | | | | | | | | | | 50-3324 |
|--|--|--|--|--|--|--|--|--|--|---------|

We offer the world's most extensive product portfolios of stenter brushes.
If, contrary to expectations, none of them fits your requirements,
please ask us to for an individual production of your stenter brush.